

morsø

OWNER GUIDE

SQUIRREL GAS STOVE

MODEL No. 551 – With Open Flue
MODEL No. 552 – With Balanced Flue



**THESE APPLIANCES ARE FOR USE WITH NATURAL GAS (G20)
OPEN FLUE STOVE MODEL 551 IS FOR USE WITH PROPANE GAS (G31)
WHEN CONVERTED USING KIT NO. 0555111.
BALANCED FLUE STOVE MODEL 552 IS FOR USE WITH PROPANE GAS
(G31) WHEN CONVERTED USING KIT NO. 0555211.
THESE APPLIANCES ARE SUITABLE ONLY FOR INSTALLATION THE
UNITED KINGDOM (GB) AND THE REPUBLIC OF IRELAND (IE).**

We trust that this guide gives sufficient detail to enable your gas stove to be operated and maintained satisfactorily. However, if further information is required, our **Technical Helpline** will be pleased to help.

In the United Kingdom Telephone 08706 061 065 (National call rates apply in the United Kingdom). In the Republic of Ireland Telephone 0044 8706 061 065

This guide is intended to help you care for your gas stove. Please read thoroughly before using your gas stove and keep for future reference.

Manufactured by Morsø Jernstøberi A/S, Furvej 6, 7900 Nykøbing Mors, Denmark
Distributed by Baxi Fires Division, Wood Lane, Erdington, Birmingham B24 9QP,
England

INSTALLER: Please leave this guide with the owner

OWNER GUIDE

LIST OF CONTENTS

<u>Heading</u>	<u>Page</u>
SAFETY	3
OPERATING YOUR STOVE	5
The Flame Sensing & Flue Blockage Safety System	5
To Light the Main Burner	6
To Light The Pilot	6
To Turn Off the Main Burner and Pilot	6
To Turn Off the Main Burner Only	6
CLEANING YOUR STOVE	7
Cast Iron Surfaces	7
Opening the Door	7
The Glass Window	7
FITTING THE CERAMIC FUEL EFFECT AND BURNER COMPARTMENT WALLS	8
MAINTENANCE AND SERVICING	11

Thank you for choosing morsø.

All morsø appliances are designed to meet the most stringent quality, performance and safety requirements to provide our customers with many years' trouble-free service. Your owner guide aims to improve your understanding and appreciation of your gas fire by providing simple and informative instructions to ensure that you benefit from the excellent performance and features it has to offer.

OWNER GUIDE

SAFETY

IF YOU SMELL GAS

DON'T SMOKE

EXTINGUISH ALL NAKED FLAMES

DON'T TURN ELECTRICAL SWITCHES ON OR OFF

TURN OFF THE GAS SUPPLY AT THE METER

OPEN DOORS AND WINDOWS TO GET RID OF THE GAS

IMMEDIATELY CALL THE GAS EMERGENCY SERVICE – SEE YOUR LOCAL TELEPHONE DIRECTORY

Do have the gas stove installed by a competent person. In the United Kingdom, installation must be in accordance with the latest edition of the Gas Safety (installation & use) Regulations. In the Republic of Ireland, installation must be in accordance with all national and local regulations in force.

Do have the chimney swept prior to installation if it was previously used for solid fuel.

Do have the gas stove installed in accordance with the installation instructions. On no account must the fire stand on carpets or other combustible materials. The fire must stand on a non-combustible hearth surface. The hearth material must be at least 400mm wide x 420mm deep x 12mm thick.

Do provide the minimum clearances shown in figure 1.

Do ensure that the flue terminal on the outside wall (Balanced flue model 552) is kept free from all obstructions and blockages.

Do always use a fireguard complying with BS 8423 for the protection of young children, the elderly or infirm. The cast iron top, front, rear and sides of this stove are considered to be working surfaces and so will become very hot when in use. Always take care when using this appliance. Such a guard is also recommended for the protection of pet animals.

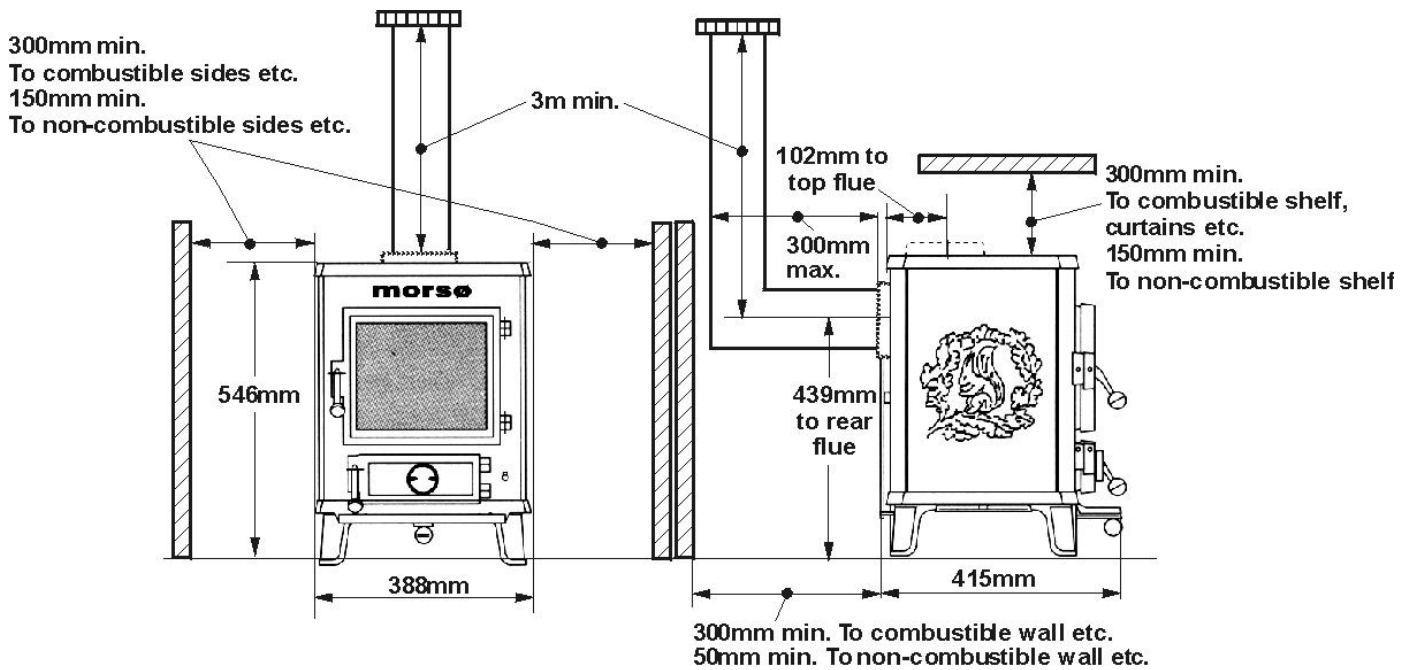
Do wait three minutes before attempting to relight if the gas stove is switched off or the flames are extinguished for any reason. (Your gas stove is fitted with a safety device that will automatically shut off the gas supply to the gas stove, if for any reason, the flame goes out)

Do get advice about the suitability of any wall covering near your gas stove. Soft wall coverings (e.g. embossed vinyl, etc.) which have a raised pattern are easily affected by heat. They may, therefore, scorch or become discoloured when close to a heating appliance. Please bear this in mind whenever you are considering redecorating.

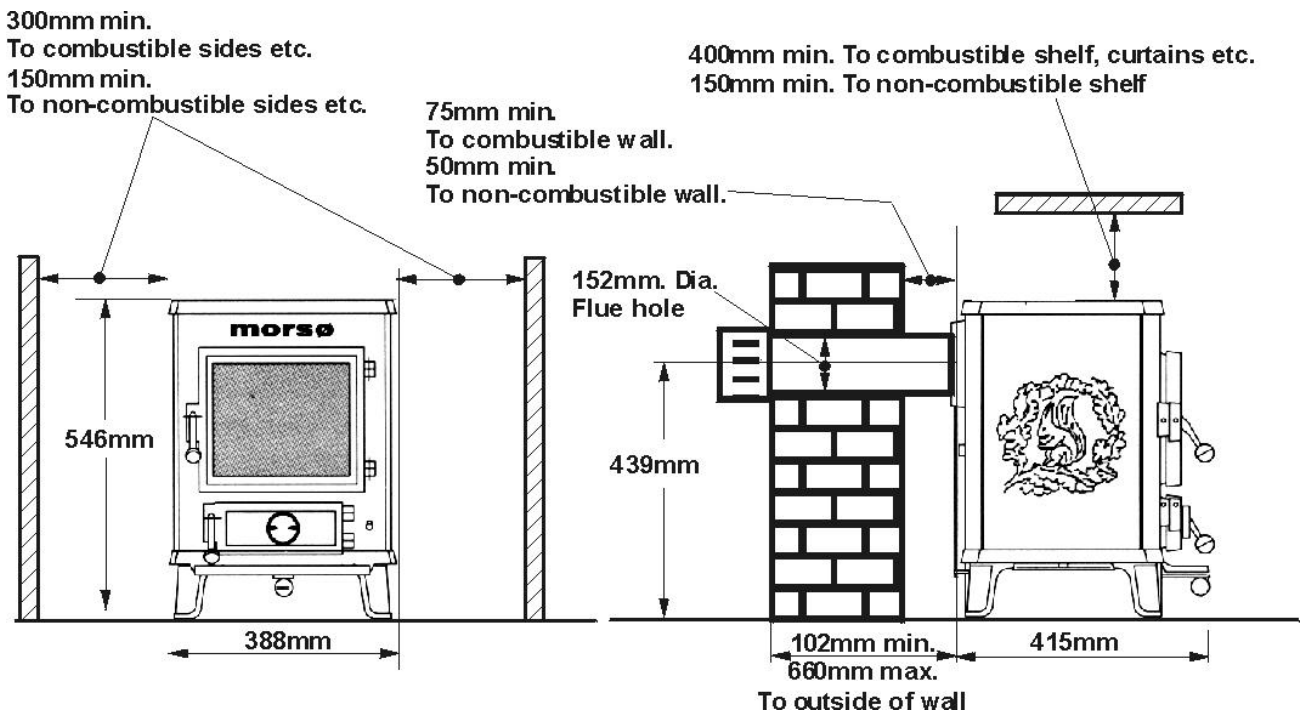
Don't hang clothing, towels or any other fabrics over the gas stove.

Don't put more loose ceramic coals on the gas stove than the number given in this guide or use any ceramic coals other than those authorised for this gas stove. Incorrect combustion could result.

OWNER GUIDE



Model 551



Model 552

Figure 1. Appliance dimensions and clearances

OWNER GUIDE

Don't put paper or other materials into your gas stove.

Don't use the gas stove with damaged base ceramics.

Don't place any combustible material (rugs, carpet, plastic tiles, etc.) on the hearth

Don't attempt to clean or service the gas stove until it has been switched off and allowed to cool completely.

Don't use this stove with the door open or with the glass panel damaged or removed.

The door should always be secured with the locking screw (See "Cleaning your stove").

If the window is damaged or will not close securely the fire must be turned off and not used until the window is changed or corrected by a competent service engineer.

Don't leave the stove on if the house is left unoccupied for a long period. We recommend that the stove is turned fully off.

OPERATING YOUR STOVE

PLEASE NOTE

When operating your stove for the first time, some vapours may be given off which may cause a slight odour and could possibly set off any smoke alarms in the immediate vicinity. These vapours are quite normal with new appliances. They are totally harmless and will disappear after approximately twelve hours use.

This fire is supplied with ceramic "coals" to simulate a real coal fire. After some use, the firebox walls and coals may change colour. This is quite normal.

The Flame Sensing & Flue Blockage Safety System.

For your safety, this appliance is fitted with a flue blockage safety device that will shut down the appliance in the event of abnormal flue conditions. **This device is NOT a substitute for an independently mounted Carbon Monoxide detector.**




The device will also automatically shut off the gas supply to the gas stove if the pilot flame goes out for any reason. **If the device starts to shut off the gas frequently, get expert advice.**

The system incorporates a probe that senses that the heat from the pilot flame is correct. If this probe is cool, the device will prevent any gas flow unless the control knob is kept depressed at the PILOT/IGN position.

If, for any reason, the flames go out when the gas stove is hot or if the gas stove is turned off when hot, always **wait at least three minutes before attempting to relight.** **Always make sure that the door is securely closed before lighting.**

OWNER GUIDE

To Light The Pilot

- Push in the right control knob (the pilot lighting knob) and, while keeping it depressed, turn anticlockwise through the ignition position marked  and up to the pilot position marked . The spark should light the pilot. The pilot flame can be seen by looking through the gap between the coals near the front left corner of the fire bed (See figure 3).
- When the pilot has lit, keep the right hand control knob depressed for a few seconds to prevent the flame supervision device from shutting off the gas supply while its probe warms up, as explained previously, then release it.
- If the pilot does not remain alight turn the knob back to the off position marked . Wait a few seconds and repeat the lighting sequence.

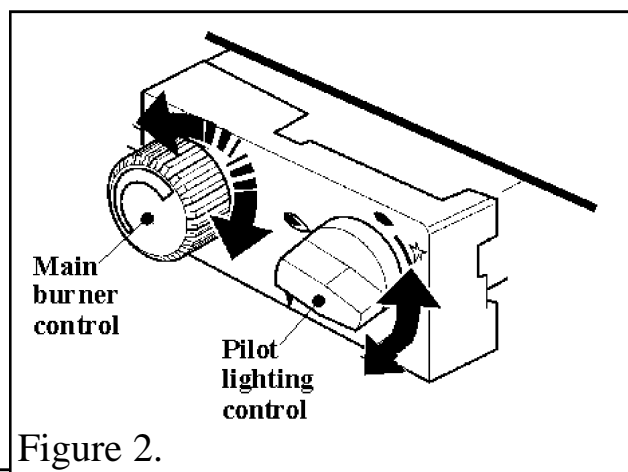



Figure 2.

To Light the Main Burner

- Partially depress the right control knob and turn to the main burner position marked . The main burner should now light.
- The left-hand knob is for burner flame adjustment. Turning it anticlockwise should gradually increase the flame height and heat output. Turning clockwise reduces the flame height and heat output.
- The burner flame control does not have to be re-set every time the fire is lit. Once set, it can be left at that position allowing you to use the right hand control only to ignite the burner at the set flame height.

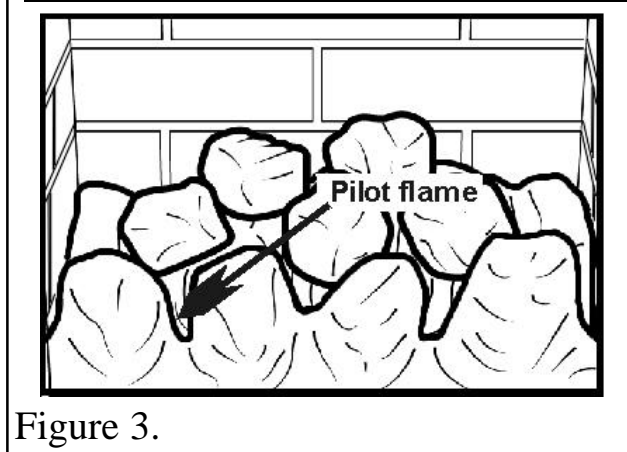




Figure 3.

To Turn Off the Main Burner Only

- Turn the right hand control knob to the pilot position marked .

To Turn Off the Main Burner and Pilot

- Turn the right hand control knob to the pilot position marked . Push the knob in at this position and turn to the off position marked .

OWNER GUIDE

CLEANING YOUR STOVE

Turn the stove off and allow it to cool completely before attempting any cleaning. Note that it will retain heat for some time after it has been turned off.

Cast Iron Surfaces

Regular dusting with a dry lint free cloth is all that should normally be necessary. Any light stains should be removed with a damp lint free cloth. Make sure that the stove surfaces are completely dry before lighting.

If the paint needs retouching, allow the stove to cool completely. Brush any areas needing attention with a wire brush (Not enamelled surfaces). Clean off any loose matter. Touch up with Morsø high temperature stove paint. Apply the paint sparingly. Two light coats are better than one thick coat.

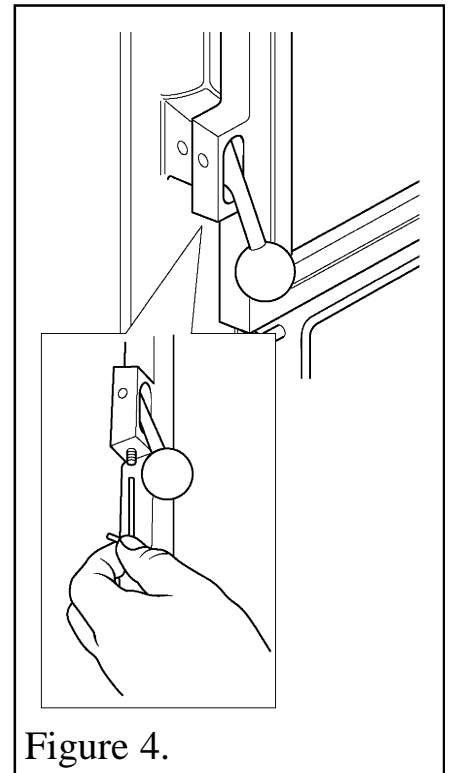
Opening the Door

The door is secured with a locking screw. Remove the screw using the special key supplied with the stove (See figure 4).

Always secure the door with the locking screw to prevent inadvertent opening and consequent injury or damage while the stove is in use.

The Glass Window

Any stains on the glass can be removed with a non-abrasive cleaner such as a ceramic hob cleaner. **Never use abrasive cleaners.** Clean the window carefully in accordance with the instructions supplied with the cleaner.



OWNER GUIDE

FITTING THE CERAMIC FUEL EFFECT AND BURNER

COMPARTMENT WALLS

Ceramic fuel effect and Burner compartment Walls

- This product uses fuel effect pieces and burner compartment rear wall containing Refractory Ceramic Fibres (RCF), which are man-made vitreous silicate fibres. Excessive exposure to this material may cause irritation to eyes, skin and respiratory tract.

Consequently, it is important to take care when handling these articles to ensure that the release of dust is kept to a minimum.

- Light coatings of soot will usually be burnt off during the normal operation of the fire.
- Should any soot accumulation become excessive, the fuel effect pieces and walls should be removed from the fire for cleaning.
- Cleaning should be carried out in a well ventilated area or in the open air by gently brushing with the pieces held away from your face so that you avoid inhaling the dust.
- We suggest that you remove the coals in the reverse order to that shown in this section of the guide. **When removing the fuel effect and burner compartment walls it is important that the front grate is removed before the fuel effect pieces. To do this hold the front grate firmly and lift.**

1. Place the rear ceramic wall against the back of the firebox.

2. The rear ceramic wall must be located onto the ledges at the back of the rear base ceramic (See figure 5). To achieve this, hold the rear ceramic wall against the rear of the firebox at its uppermost position. Whilst holding the rear ceramic wall in this position locate the rear ceramic base coal into position (See figure 5). The rear wall can now be released. Ensure that the rear ceramic wall sits on the ledge at the back of the rear base coal.

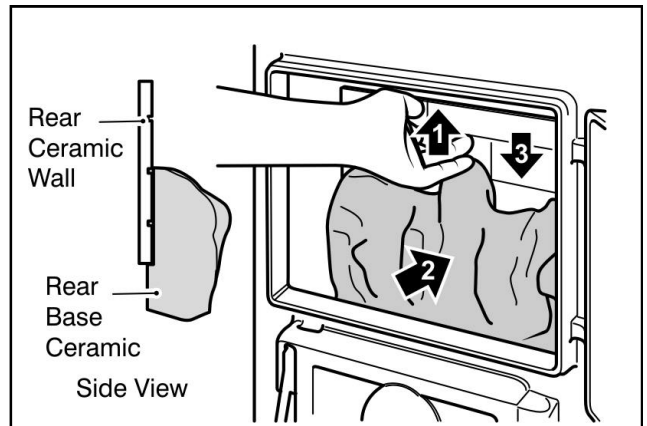


Figure 5.

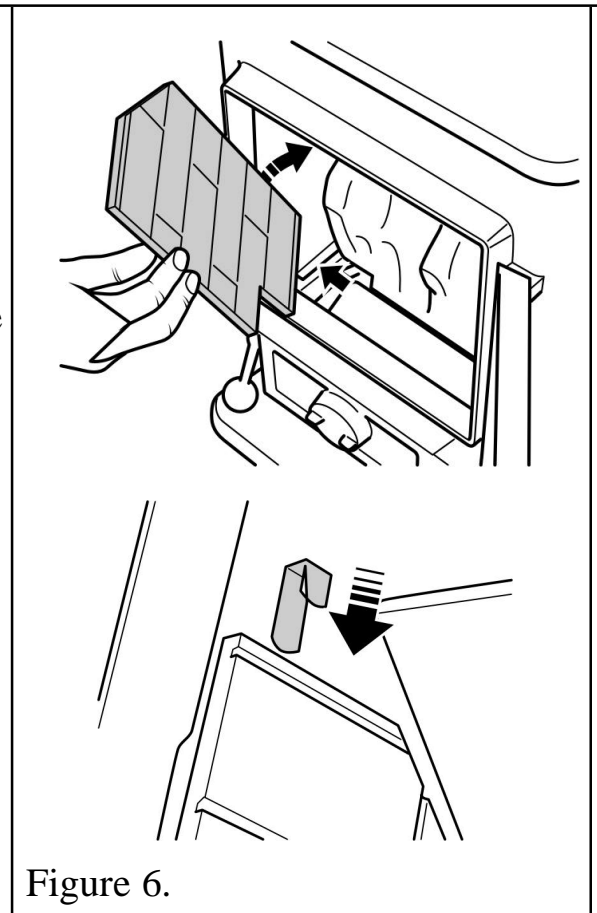


Figure 6.

OWNER GUIDE

3. Fit the left hand side wall against the left hand side of the firebox. Locate the bottom of the side wall into the channel along the bottom of the firebox (See figure 6). Supplied with the stove are two ceramic retaining brackets. One for each side of the firebox. Hold the ceramic side wall against the steel firebox plate and slide the long leg of a retaining bracket behind the steel firebox plate. Push down to hold the ceramic side wall in place.

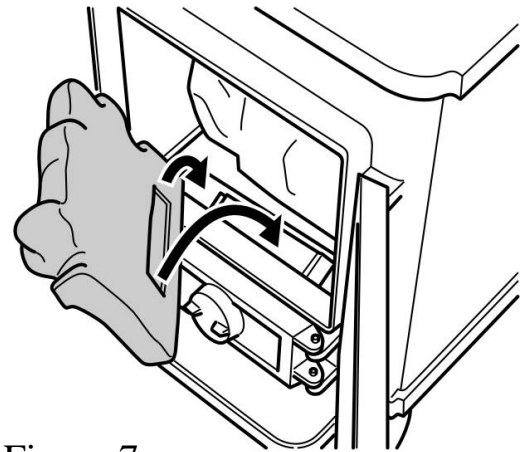


Figure 7.

4. Fit the right hand side wall against the right hand side of the firebox. Locate the bottom of the side wall into the channel along the bottom of the firebox. Hold the ceramic side wall against the steel firebox plate and slide the long leg of a retaining bracket behind the steel firebox plate. Push down to hold the ceramic side wall in place.

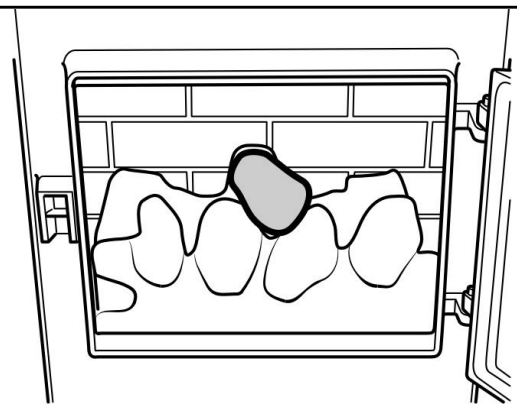


Figure 8.

5. On the front of the burner there is a bracket for supporting the front ceramic base. At the rear of the front ceramic base is a recess. Fit the front ceramic base piece locating the recess onto the forward projecting part of the burner bracket (See figure 7).

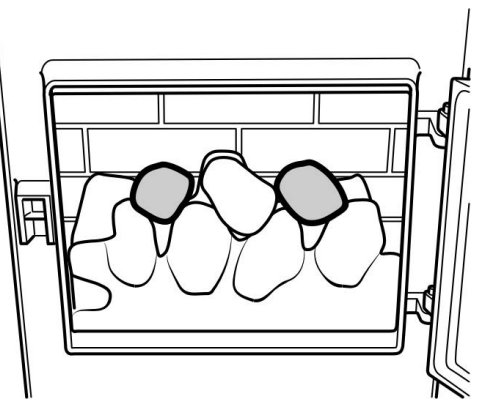


Figure 9.

There are seven overlay coals. There are three ceramic coals identified with the number '1'. Two identified with the number '2' and two identified with the number '3'.

6. Locate one of the ceramic coals identified with a number '1' as in figure 8.

7. Locate the two ceramic coals identified with a number '2' as in figure 9.

8. Locate the remaining two ceramic coals identified with a number '1' as in figure 10.

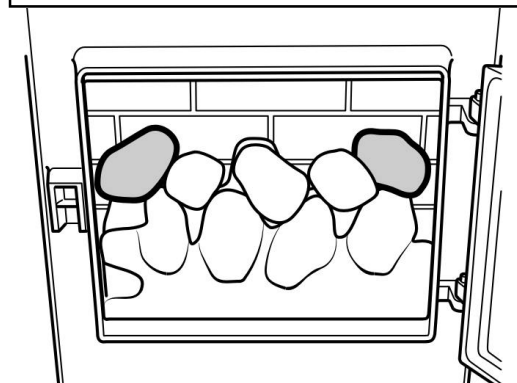


Figure 10.

OWNER GUIDE

- 9.** Locate the two ceramic coals identified with a number '3' as in figure 11.
- 10.** Replace the front grate removed previously.
- 11.** Close and secure the door by refitting the locking screw.

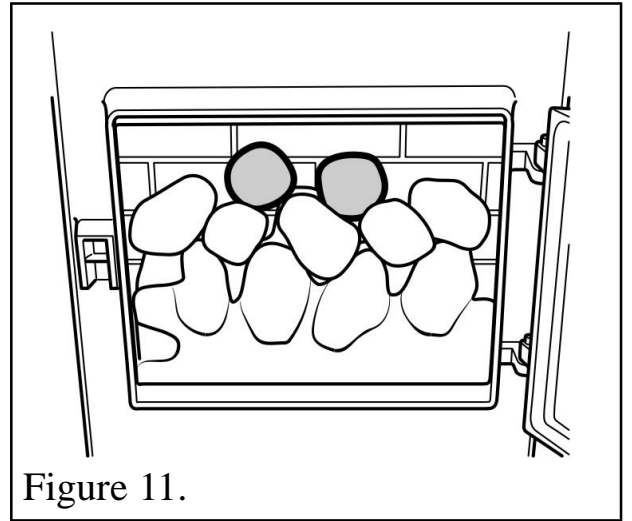


Figure 11.

OWNER GUIDE

MAINTENANCE AND SERVICING

Regular maintenance

In order to achieve and maintain high levels of personal safety and performance efficiency, it is essential that the flue is kept clear of any form of obstruction.

In the United Kingdom it is the law that a landlord must have any gas appliance, flue and pipework which is situated in a tenant's premises checked for safety at least every twelve months by a competent person (In the U.K., a CORGI registered installer).

We recommend that all gas appliances and their flues, wherever situated, are checked annually.

Servicing

- In the United Kingdom servicing can be carried out either by a Baxi Fires Division Service engineer or a CORGI registered installer.
- If you require your fire to be serviced by a Baxi Fires Division Service engineer please contact the Baxi Fires Division service department on **08706 090 081** and quote the following details;
Model name and number.
Appliance serial no.
In Republic of Ireland call **0044 8706 090 081** for all enquiries.
- If you wish to replace any of the owner replaceable parts listed below, spare parts are available nationwide via the '**interpart** stockist network'. For your local stockist consult Yellow pages under Central Heating.

When ordering please quote the part number shown below.

Description	Part No.
Complete set of ceramic coals	5110528
Rear base coal piece	5110532
Front base coal piece	5110531
Bag of 7 top coal pieces	5110533
Complete set of ceramic walls	0572519
Ceramic rear wall only	0572529
Ceramic right side wall	0572539
Ceramic left side wall	0572549
Allen key for door opening	0572559

When fitting replacement parts, **follow the instructions contained in this guide.**
It is important that only approved parts are used for maximum safety.